

RED EMPEROR

FIRE HOSE REEL INSTALLATION INSTRUCTIONS

The following items form the standard Hose Reel package:

- (a) Hose Reel assembly complete with hose, Water way, Guide Arm, Water way Bracket & One part of barrel union fit into Fixed water way.
- (b) Installation instructions
- (c) Kit in bag:
 - (i) Ball Valve with barrel union half
 - (ii) Main Support Bracket

This hose reel is designed for fire fighting purposes only and meets the requirements of AS1221. The use of this hose reel for any other purposes will void the warranty. This hose reel is not suitable for use as a wash down hose reel. When not in use, the hose reel should be restored to its as installed condition with the ball valve in the off position.

Recommended cabinet size if necessary:

Height 800mm X Width 780mm X Depth 340mm

Note: Fixed hose reels shall have not less than 100 mm clearance between the cabinet side walls and the hose reel. The clearance of the hose reel to the projected outline of the cabinet door opening shall be not less than 100 mm. (Refer to AS/NZS 1221 Clause 2.3.1)

Operating Specifications:

Maximum working pressure: 1.2MPa (174psi)

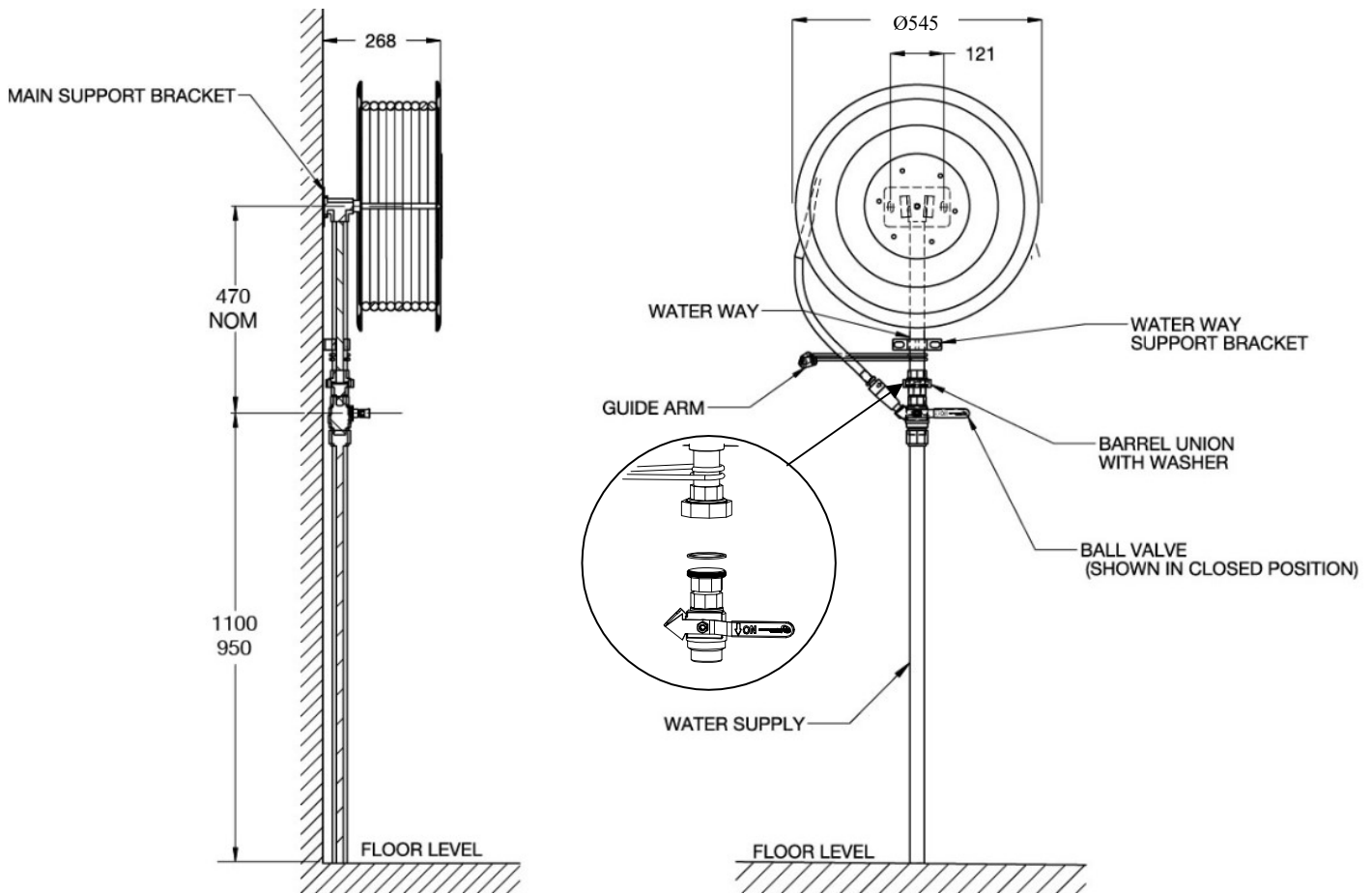
Flow Rate: 27L/min (minimum) @ 220kPa inlet pressure

This hose reel should be maintained in accordance with AS1851 and serviced every six months.

INSTALLATION PROCEDURE

Note: Installers should ensure that the Fire Hose Reel is installed in accordance with AS2441 "Installation of Fire Hose Reels". Non-compliance with this instruction will void warranty.

- (1) A suitable and readily accessible location should be selected. The surface should be suitable to withstand a horizontal pull on the reel of 1kN. The location should be clearly marked with a sign (not supplied). If being installed in a cavity or cabinet, the depth of the cavity or cabinet should still allow the guide arm to protrude.
- (2) The point at which the Hose Reel is to be mounted is the horizontal centre-line on which the reel rotates. Mark this point 1500mm above floor level. Axis of reel can be mounted 1500mm to 2400mm above floor level, only when fitted with a longer inlet pipe to ensure centre of Ball Valve is 1000 ± 100 mm above floor level.
- (3) The Support Bracket should be placed centrally on the mark. Mark the fixing holes.
- (4) The fixing holes can be prepared and the bracket securely fixed by using the prescribed fixings as follows:
 - (a) For softwood timber, type 17 screws x 14g minimum length into wood 37mm.
 - (b) For hardwood timber, type 17 screws x 14g minimum length into wood 25mm.
 - (c) For concrete, 10mm masonry anchors (e.g. Loxins) minimum length into concrete 50mm.
 - (d) For soft or hollow concrete, M10 rawls nuts or equivalent.
- (5) Attach Hose Reel to Support Bracket by lowering the Elbow Block behind the lugs of the Support Bracket.
- (6) Locate the Water way support Bracket as per requirements and fix as per point (4).
- (7) Connect the Isolating Ball Valve on to water supply.
- (8) Connect the union halves together.
- (9) Pass the Nozzle through the Guide Arm, draw the hose to its full length, turn on the water at the valve and check discharge rate into a suitable container (minimum requirement is 20 litres per minute).
- (10) Check ease of hose withdrawal in any direction – maximum horizontal force to unwind a fully charged hose is not to exceed 100 Newtons (10.2kg).
- (11) Check for leaks and rewind hose in accordance with instructions on the fire Reel Disk.



Note: The recommended mounting height of the centre of the fire hose reel is 1500mm above floor level